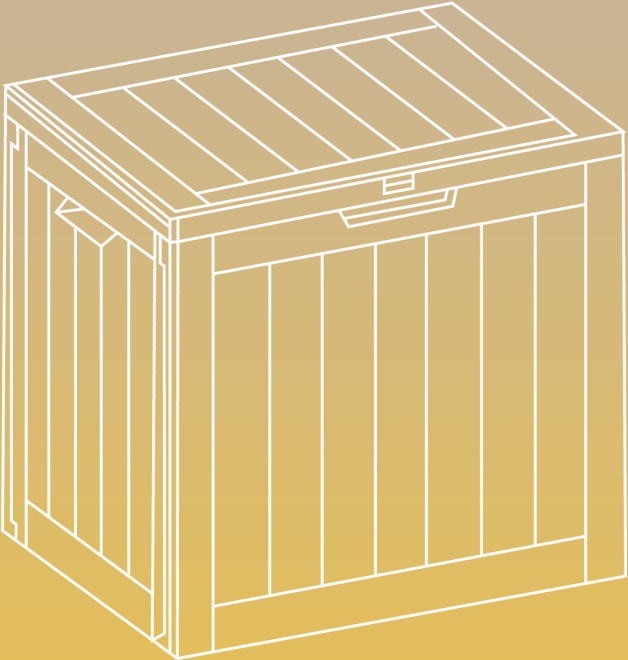
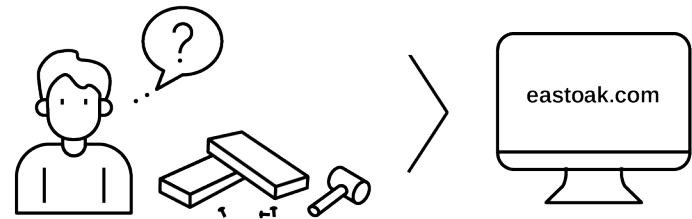


# 31 Gallon Deck Box Owner's Manual



# EAST OAK



**Questions? Comments?  
Reach out to us for expert support!**

✉ [support@eastoak.com](mailto:support@eastoak.com)

🌐 [eastoak.com](http://eastoak.com)

☎ 1-833-EAST-OAK (USA)

(1-833-327-8625) Mon-Fri 8am-8pm EST

Follow [eastoakliving](#) on



**Claim your 3-year warranty**

at [eastoak.com/warranty](http://eastoak.com/warranty)



**Please scan the QR code  
to view the installation video**



## IMPORTANT CAUTION

Once installed, the product cannot be detached. Please strictly follow each step in the installation manual.

- Please check all parts and components to ensure that there are no damages or missing items before starting the construction of the product. If you have any problems or discover any missing parts, please contact customer service at [support@eastoak.com](mailto:support@eastoak.com)
- Some parts may contain sharp edges. Wear protective gloves if necessary during assembly.

## ASSEMBLY INSTRUCTIONS

- Item identification: For ease of identification, all parts are labeled to correspond to the step number in which the part is used.
- We recommend **using a rubber hammer** to install the product.
- **Force is required for installation.**
- **The letter marks on the A/B/C/D/E panels should face inward when installing.**

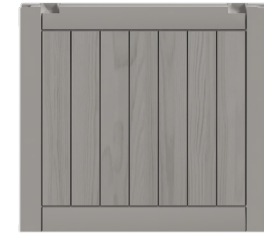
## CARE & SAFETY

- **Avoid placing products in areas with standing water, such as potholes on lawns.**
- Check all panels for tightness before usage.
- It is of utmost importance to assemble all parts according to the directions. Do not skip any step.
- In case of fire, do not attempt to extinguish any burning polypropylene with water.
- Using a stiff brush or abrasive cleaner could damage the box.
- Hot items such as recently used grills, blowtorches, etc., must not be stored in the box.
- After rain, wipe the box with a cloth before opening it.
- Unsuitable for the storage of flammable or corrosive substances.
- Do not stand on the lid.
- To prevent the risk of suffocation, do not allow children to play inside the box.

## PARTS LIST



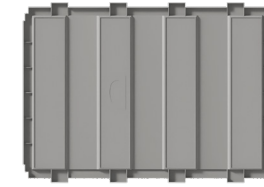
Front Panel  
**A (X1)**



Back Panel  
**B (X1)**



Side Panel  
**C (X2)**



Bottom Panel  
**D (X1)**



Lid Panel  
**E (X1)**

Please scan the QR code  
to view the installation video

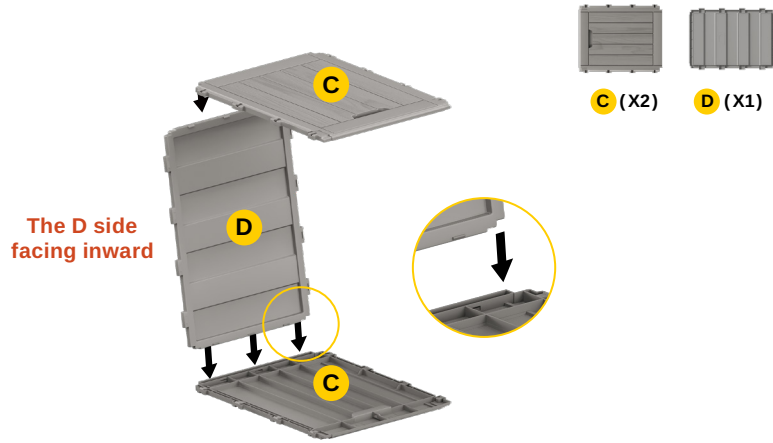


# 1 ASSEMBLY INSTRUCTIONS

Please match the marked sides as shown below.

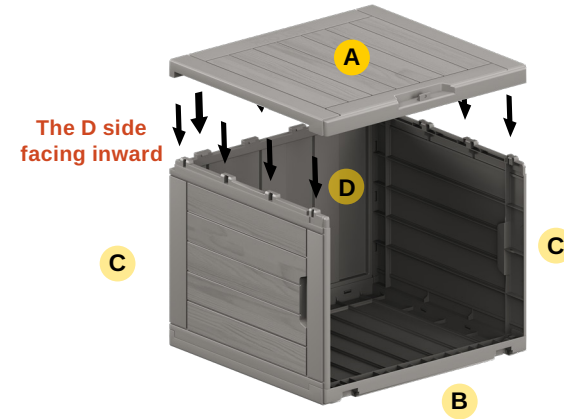
**There are 3 pairs of bayonets and slots on each side of D panel that can be snapped together by 2 C panels.**

Please refer to the following diagram for specific installation methods.



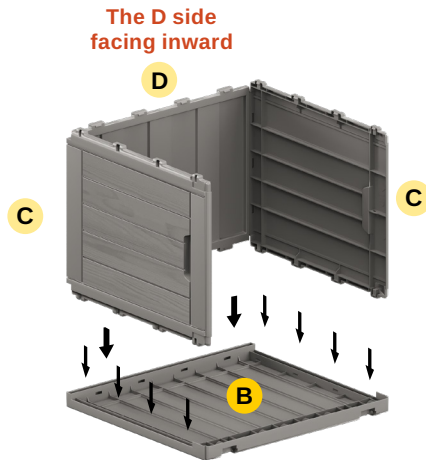
# 3

Snap the front panel A.



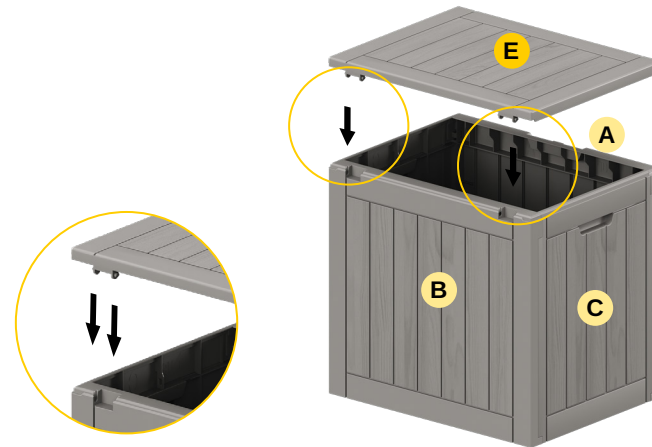
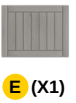
# 2

Attach panel B to the three-panel piece.

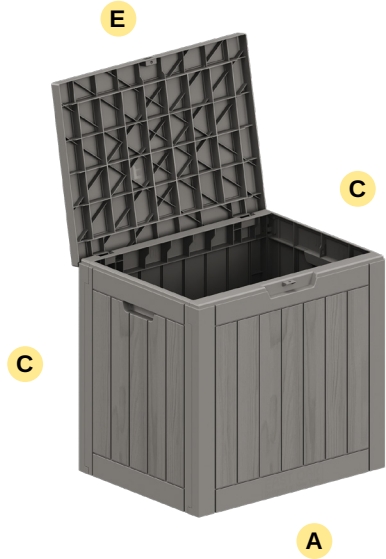


# 4

To finish, snap the E panel to the top.



# 5



## FEATURES

- Weatherproof and Waterproof Outdoor Furniture
- UV and Fade Resistance
- Durable and Long-lasting Use
- Easy to Assemble
- Marine-grade Quality Hardware
- Comfortable Side Handles
- Upgraded PP Material to Prevent Bending and Fading
- Use for Indoors and Outdoors, Pillows, Pool Toys, Garden Tools, Furniture and Sports Equipment
- Great Option for Home Storage and Organization

# 6

Installation completed.



## WHAT'S IN THE BOX

- 6 Deck Box Assemblies
- User Manual

---

## WARRANTY POLICY

### GUARANTEED 3-YEAR WARRANTY

Thank you for choosing East Oak. This product is covered by our company warranty for up to 3 years from its original purchase date.

### CLAIM WARRANTY

If you'd like to claim your product's warranty, register your new product on our website at [www.eastoak.com/warranty](http://www.eastoak.com/warranty).

---

## WARNING

Cancer and Reproductive Harm  
[www.P65Warnings.ca.gov](http://www.P65Warnings.ca.gov).

# EAST OAK

✉ [support@eastoak.com](mailto:support@eastoak.com)

🌐 [eastoak.com](http://eastoak.com)

☎ 1-833-EAST-OAK (USA)