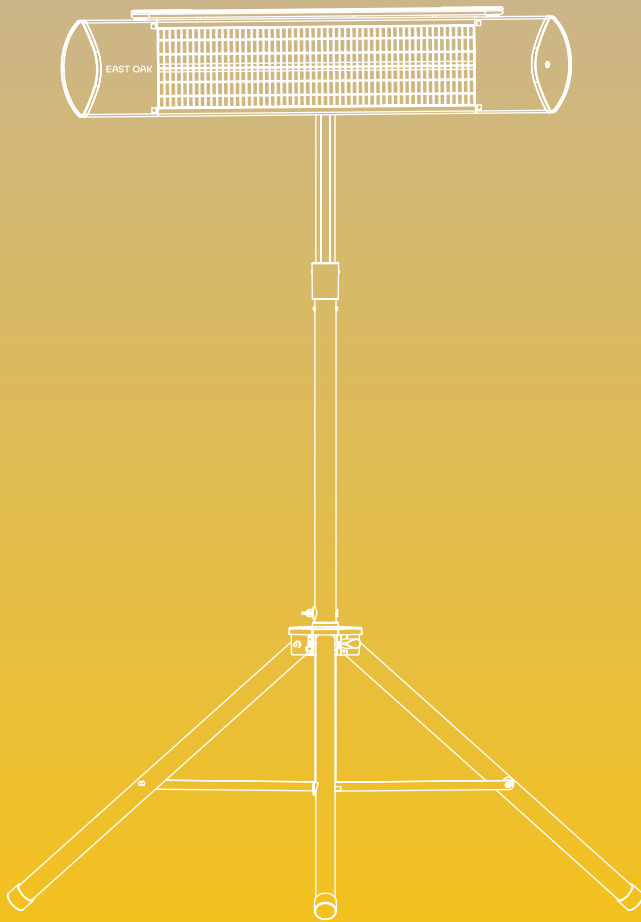


1500W 2-in-1 Electric Patio Heater Owner's Manual

MODEL:
SB15BK2



EAST OAK



**Need help starting?
Scan the QR code for installation video guidance.**



installation video

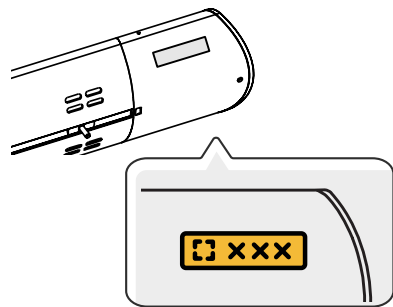


**Questions? Comments?
Reach out to us for expert support!**

- ✉ support@eastoak.com
- 🌐 eastoak.com
- ☎ 1-833-EAST-OAK (USA)
(9am-5pm PST/PDT)

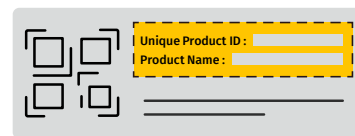


**Unlock all the perks!
Start the registration process now for a 3-year warranty.**



Step 1:

Found the Unique Product ID on the product.



Step 2:

Scan the QR code within 90 days to access our registration page. Fill the Unique Product ID and other required information as instructed.

Complete the registration !



Welcome to the East Oak family!

Stay updated with our latest news and exclusive discounts by following us on social media!



Facebook @eastoakliving
www.facebook.com/eastoakliving



Instagram @eastoakliving
www.instagram.com/eastoakliving/

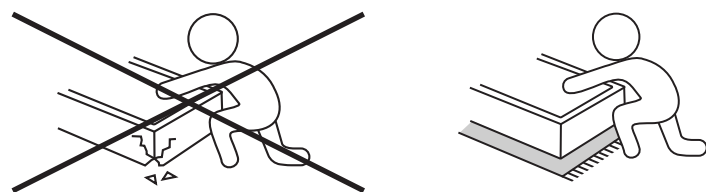


Youtube @eastoakliving2080
www.youtube.com/@eastoakliving2080

IMPORTANT INFORMATION

Please check all parts and components to ensure no damage or missing items before starting the product's construction. If you have any problems or discover any missing parts, please contact customer service at support@eastoak.com.

- Some parts may contain sharp edges. Wear protective gloves if necessary during assembly.
- When using power tools, please adjust the gear to the minimum. Otherwise, it will cause damage to the parts.
- Assemble on a soft surface such as a drop sheet or rug to avoid scratching.



! GENERAL SAFETY INFORMATION

READ CAREFULLY-The infrared heater is designed for safe operation. Nevertheless, installation, maintenance and operation of the heater can be dangerous. Observing the following procedures will reduce the risk of fire, electric shock, injury to persons and keep installation time to a minimum. Save these instructions for future use.

1. Read all instruction before using this heater.
2. Remove the unit from it's packaging and check to make sure it is in good condition before using.
3. Do not let children play with parts of package (such as plastic bags).
4. Check the household voltage to ensure it matches the heater's rated specification.
5. Check the power cord and plug carefully before use, to make sure that they are not damaged.
6. Before unplugging the power cord, be sure to turn off the power, when turning on the heater, be sure your hands are dry to prevent from electric shock.
7. This heater is hot when in use. To avoid burns, do not let bare skin touch hot surfaces. If provided, use handles when moving this heater. Keep combustible materials, such as furniture, pillows, bedding, papers, clothes, and curtains at least 3 feet (0.9 m) from the front of the heater and keep them away from the sides and rear.

8. Extreme caution is necessary when any heater is used by or near children or invalids and whenever the heater is left operating and unattended.

9. Do not use near or in the immediate vicinity of a bath or swimming pool or any source of liquid.

10. To protect against electric shock, do not immerse cord or plug in water or any other liquid.

11. Do not insert or allow foreign objects to enter any ventilation or exhaust opening, as this may cause an electric shock, fire or damage to the heater.

12. Always unplug the heater when not in use.

13. Connect to properly grounded outlets only.

14. Always plug heaters directly into a wall outlet/receptacle. Never use with an extension cord or relocatable power tap (outlet/power strip).

15. Do not allow cord to overhang the counter top where it can be easily pulled by children.

16. Do not put fingers or foreign objects into the grill while in operation.

17. Do not leave the appliance unattended when in use.

18. This heater is not intended for use in bathrooms, laundry and similar indoor locations, never put heater where it may fall into a bathtub or other water container.

19. No liability can be accepted for any damage caused by non compliance with these instructions or any other improper use or mishandling.

20. This appliance is not intended for use by persons (including children) with reduces physical, sensory or mental capabilities or lack of experience and knowledge unless they have been given supervision or instruction concerning the use of the appliance by a person responsible for their safety. Children and vulnerable people should be supervised to ensure they do not play with the appliance.

21. Use this heater only as described in this manual. Any other use not recommended by the manufacturer may cause fire, electric shock, or injury to persons.

22. Do not operate any heater with a damaged cord or plug or after the heater malfunctions, has been dropped or damaged in any manner. Disconnect power at service panel and have heater inspected by a qualified electrician before reusing. If the supply cord is damaged in any way, it must be replaced by the manufacturer or its service agent or a similarly qualified person in order to avoid a hazard.

23. Do not run cord under carpeting. Do not cover cord with throw rugs, runners, or similar coverings. Do not route cord under furniture or appliances. Arrange cord away from traffic area and where it will not be tripped over.

24. To disconnect heater, turn controls to off, then remove plug from outlet.

25. To prevent overheating of this appliance, keep the air inlets and outlets clean and free of anything that may cause blockage. Check all inlets and outlets from time to time to ensure it is clear of any dirt or dust accumulation. DO NOT COVER.

26. A heater has hot and arcing or sparking parts inside. Do not use it in areas where gasoline, paint, or flammable liquids are used or stored.

27. Parts of the heater may exceed 200°C, contact with the heating tube, reflector, or metal parts near the heating tube, may cause severe BURNS. To avoid burns, do not let bare skin touch hot surface.

28. NEVER place hands under the heating elements. ALWAYS allow heating element to cool at least 10 minutes before touching the heating tube or adjacent parts.

29. This product contains recyclable materials. Do not dispose this product as unsorted municipal waste. Please contact your local municipality for the nearest collection point.

ASSEMBLY SAFETY INFORMATION

A mounting bracket is provided with the heater which has been specifically designed to allow this product to be fitted to wall, before drilling the holes in the wall, check there are no hidden water pipes or electric wires.

ATTENTION! The appliance must be installed on the solid surfaces like concrete, wood or metal etc.

Ensure that the supply cables is well mounted and that it does not come into contact with reflector of the heater or that does not trail into heated area, the supply cable can be fixed to the metal mounting bracket behind heater with plastic zip ties.

1. This heater should be installed by a competent person, i.e. a qualified electrician.
2. Always disconnected the heater from the electricity supply and allow it to cool before installation.
3. This heater can be mounted in a horizontal or vertical manner, but for a higher efficiency we recommend horizontal usage.
4. For both wall and ceiling mounting, the lowest part of the heater must be located at or above a minimum height of 2.4m/94.5" from ground level, so that the heater cannot be touched when in operation.
5. For both horizontal and vertical mounting on the wall, there must be a min. distance of 0.5m/19.7" between the appliance and the ceiling.
6. The distance from your appliance to the corners should be min. 0.5m/19.7" for both vertical use and horizontal use.
7. When installed to the ceiling, there must be a distance of 0.5m/19.7" between corners and the appliance.

8. The distance of your appliance from the living beings or materials such as wood, carton, cloth etc. is to be min 1m/39.4".

9. When mounting horizontally or to a ceiling, do not position the heater at an angle more than 90° and less than 45°, otherwise the heater will not work.

10. The supply cable must be at the lower end of the heater if the heater is installed at an angle or vertically.

11. Keep the supply cord away from the body of the heater which will get hot during use.

12. Do not install the heater on an inflammable surface.

13. Observe the minimum safe distance between the heater body and the inflammable surfaces when mounted.

14. Expect for the back side or installation side of the product, the heater should always have a minimum clearance of 0.5m/19.7" from the adjacent wall.

15. If the heater is to be used outside, a weather-proof outlet is recommended.

16. Before drilling, ensure that there are no wires or water pipes in the area where the heater is to be installed.

17. The heater must be installed on the mounting brackets provided.

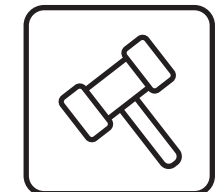
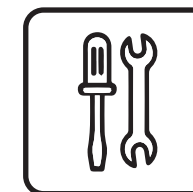
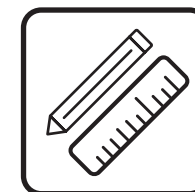
18. Fasten the brackets securely to the mounting surface and the backside of the heater using the nuts and screws supplied.

19. Fasten the heater securely on the brackets using the nuts and bolts supplied.

20. The brackets can be used to adjust the direction of the heater, adjust the heater angle by loosening the two bolts on the wall mounting bracket, tighten the bolts again when the desired angle is reached.

ASSEMBLY SUGGESTIONS

- Estimated Assembly Time: 30 minutes
- Two adults required for a safe assembly
- Pencil
- Hammer
- Level
- Screw Driver
- Power Drill and drill bits



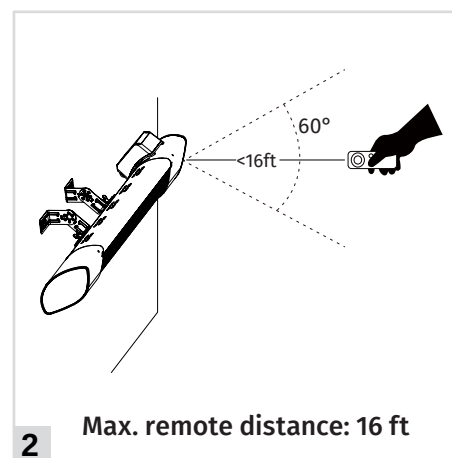
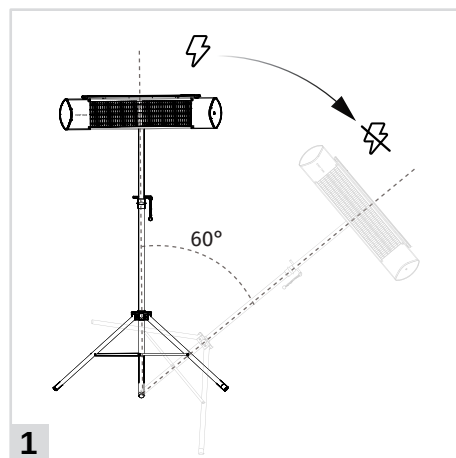
INTRODUCTION AND SPECS

The SUNMORE-S carbon infrared heaters produce instant and comfortable heat like the sun. These robust and weatherproof heaters are designed for domestic and commercial heating applications within indoor and outdoor areas.

Model	SB15BK2
Voltage(V)	120V AC
Max Wattage(W)	1500
Hertz(Hz)	60
Heating Level	L1: 750w L2: 1200w L3: 1500w Range: -10%~5%
IP Level	IP55
Function	
Auto power off	The product will automatically shut down after 168 hours of continuous startup.
Range and angle of use of remote control	Within 5 meters from the switch position, with an angle of plus or minus 30 degrees. The position of the receiver is next to the switch.

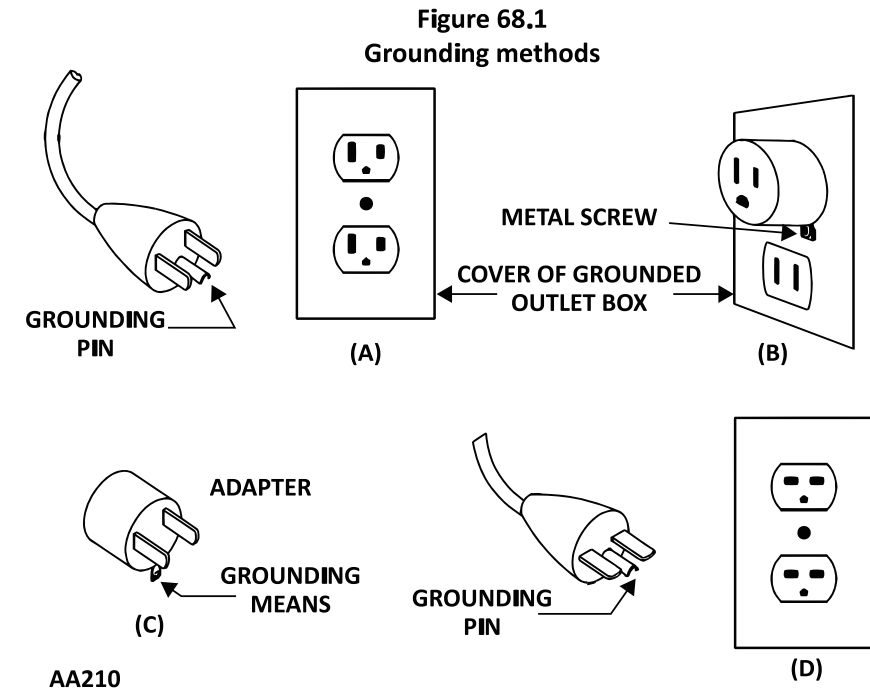
FUNCTION INSTRUCTION

1. If the machine tilt (including falls) exceeds 60 degrees, it will automatically power off.
2. Within 16 feet from the switch position, with an angle of plus or minus 30 degrees. The position of the receiver is next to the switch.



This heater is for use on 120 volts. The cord has a plug as shown at A in Figure 68.1. An adapter as shown at C is available for connecting three-blade grounding-type plugs to two-slot receptacles. The green grounding lug extending from the adapter must be connected to a permanent ground such as a properly grounded outlet box. The adapter should not be used if a three-slot grounded receptacle is available.

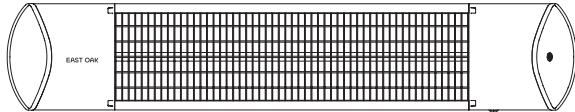
TIPS: The adapter needs to be purchased separately.



GENERAL PARTS LIST

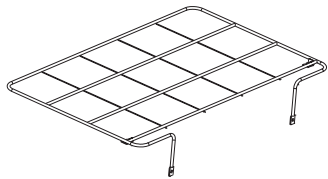
NOTE:

- Please make sure all parts are there before beginning assembly.
- If there is a missing piece, please contact after-sales.

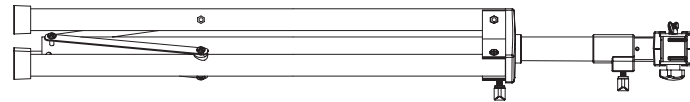


Heater
1 X 1 PC

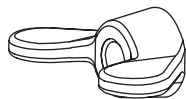
TRIPOD MOUNTED PARTS LIST



Tilt Protection Grid
2 X 1 PC



Tripod
3 X 1 PC



Wing Nut
A X 2 PCS

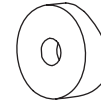


PM6mm x 60mm
Machine Screw
B X 1 PC

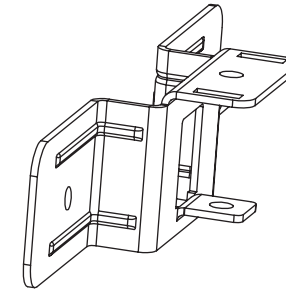


PM6mm x 44mm
Machine Screw
C X 1 PC

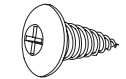
TRIPOD MOUNTED PARTS LIST



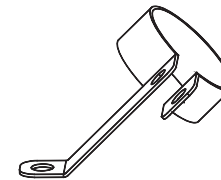
Plastic Curved Washer
D X 1 PC



I-Shaped Bracket
E X 1 PC



TMS Screw
G X 2 PCS



TMS Screw
H X 3 PCS



TMS Screw
I X 3 PCS



TMS Screw
J X 3 PCS

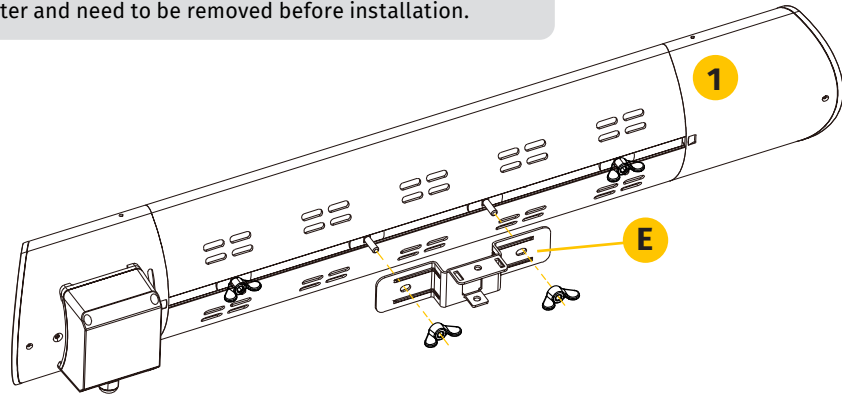


TMS Screw
L X 3 PCS

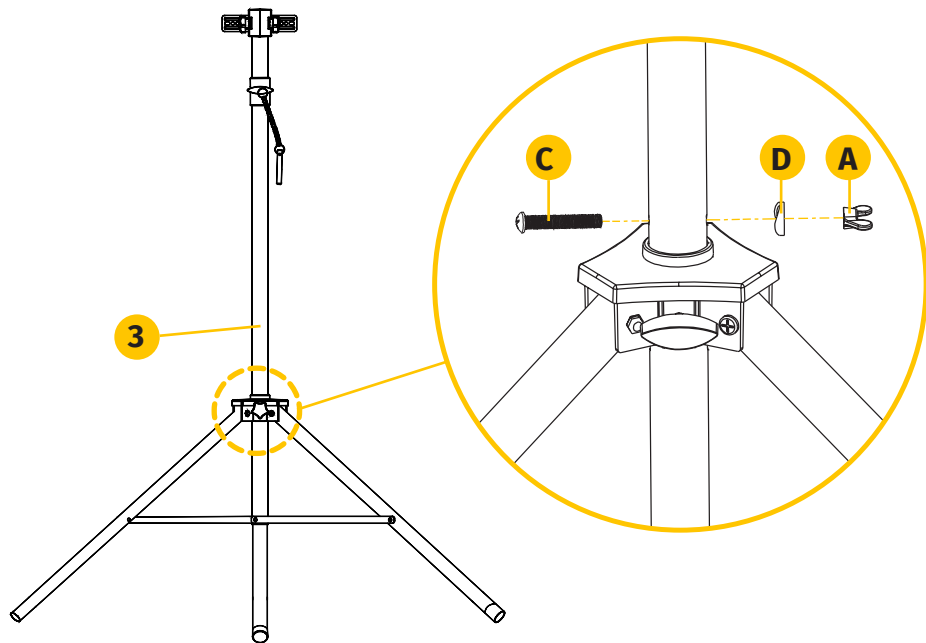
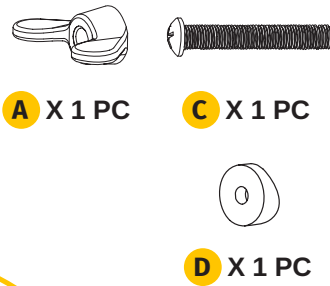
TRIPOD MOUNTED ASSEMBLY INSTRUCTIONS

1 Fasten the I-shaped bracket (E) to the back of the heater using the pre-installed two wing nuts.

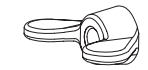
TIPS: Two M6mm nuts are pre-installed on the back of the heater and need to be removed before installation.



2 After stretching the lower half of the tripod to full height, secure the tripod with a wing nut (A), plastic curved washer (D), and PM6mm x 44mm machine screw (C).



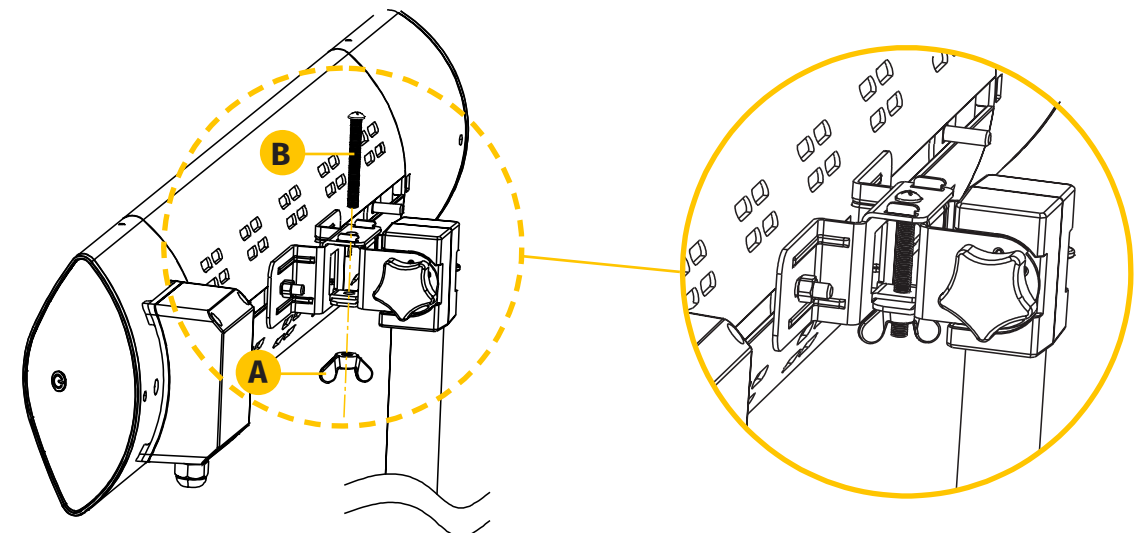
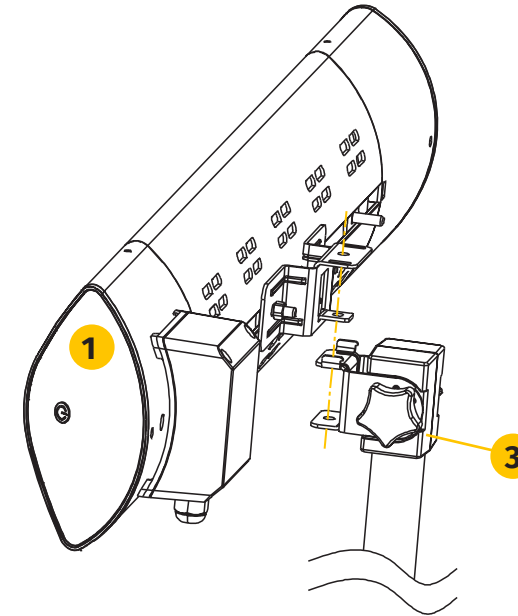
3 With the help of a partner, attach the heater assembly to tripod stand using a PM6mm x 60mm machine screw (B) and a wing nut (A).



A X 1 PC



B X 1 PC

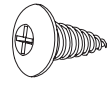


4 Using the pre-installed two wing nuts and TMS screws (G) to attach the protection grid to the heater.

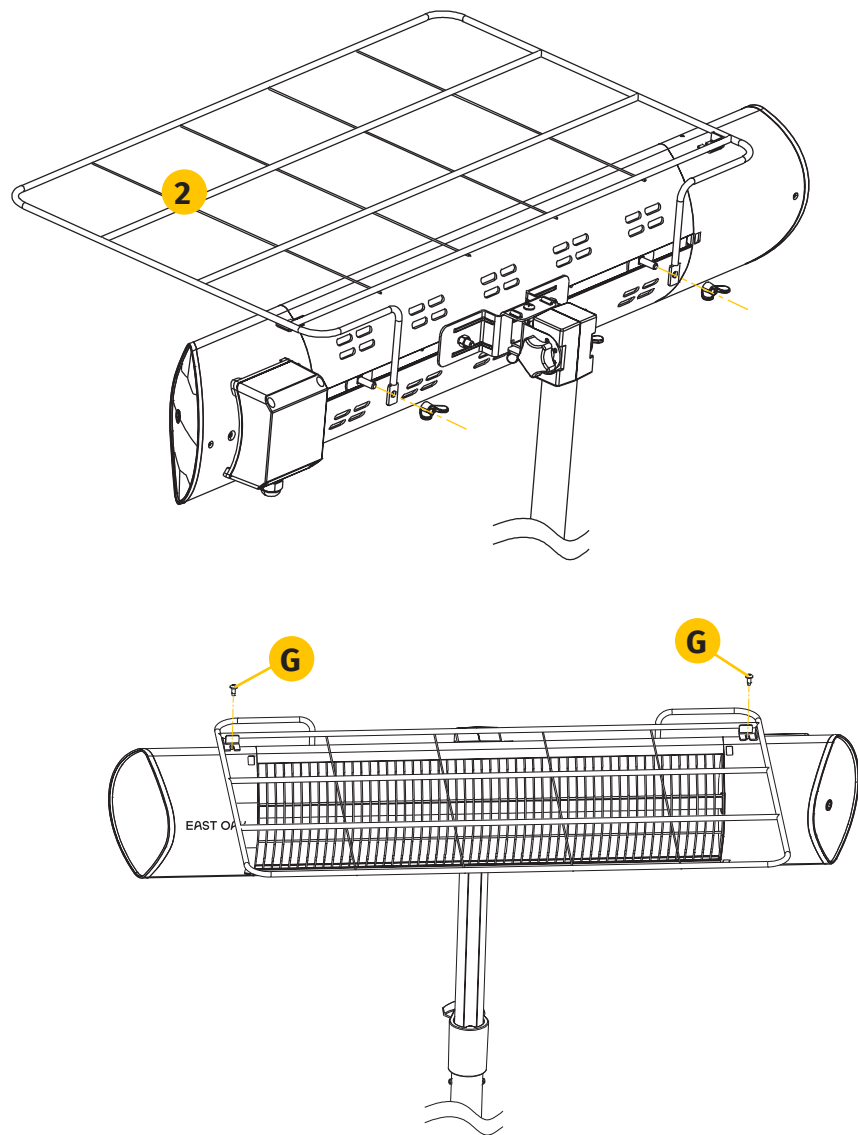
ATTENTION: Tilt protection grid must be installed before plug-in.



TIPS: Two M6mm nuts are pre-installed on the back of the heater and need to be removed before installation.

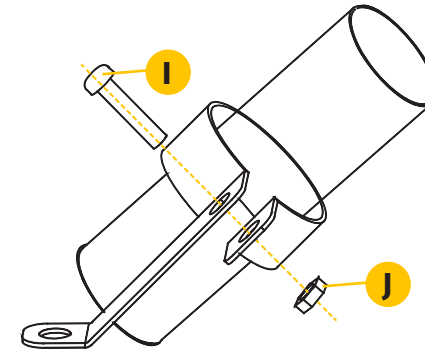


G X 2PCS

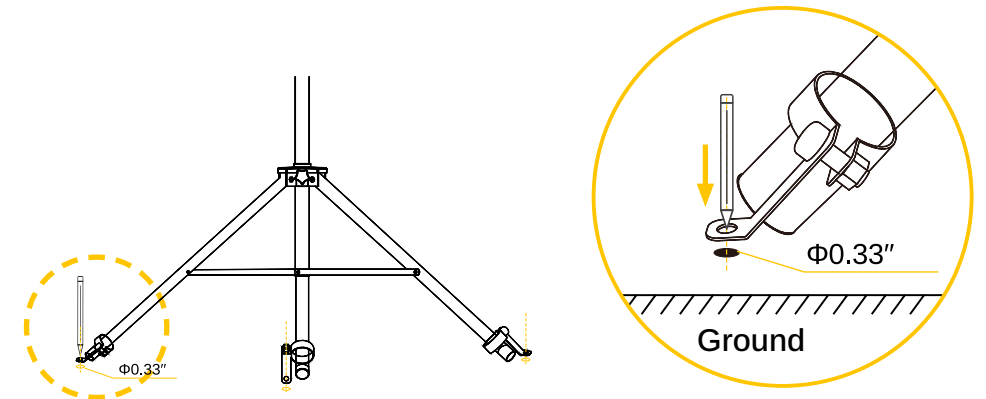


5 If You Need To Install Floor Nails

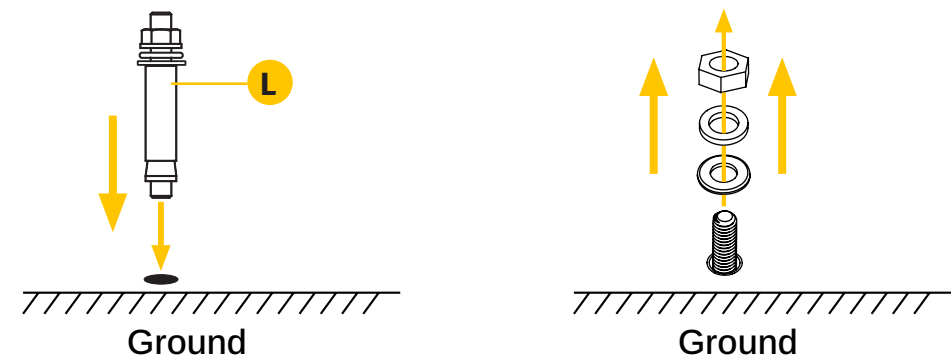
5.1 Adjust the foot cover to the appropriate height and then lock it on the supporting foot.



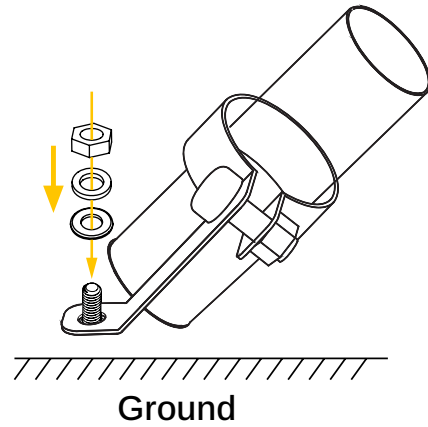
5.2 Place the heater in the desired position and mark it in the mounting hole of the foot cover.



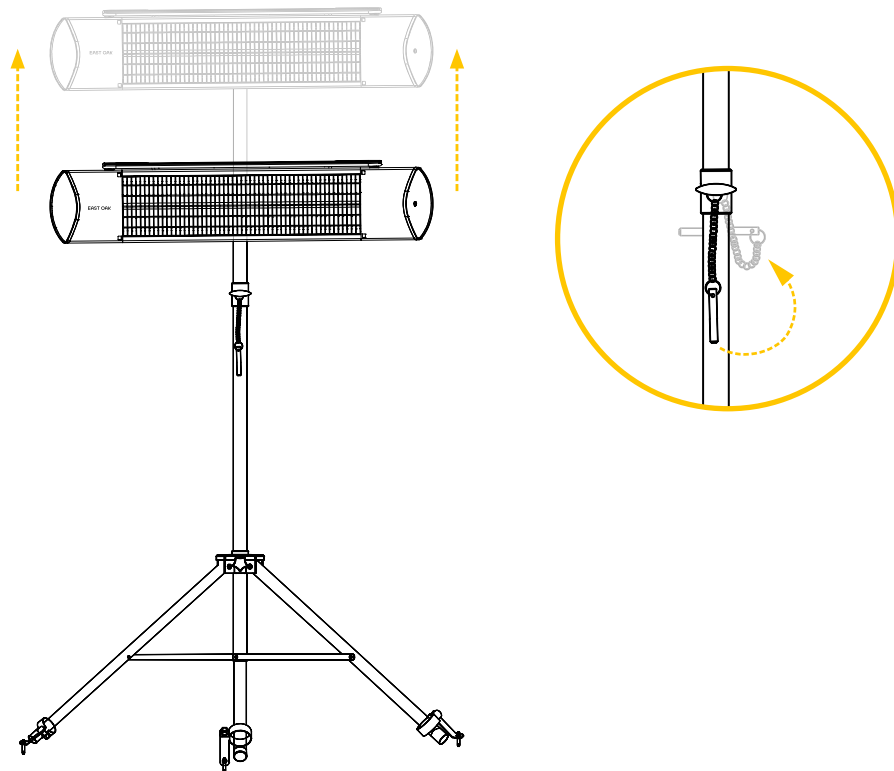
5.3 Drill a hole with a diameter of 8mm and a depth of about 45mm at the marked position. Knock down the ground nail, then remove the nut.



5.4 Put the heater on the ground nail and lock the nut.

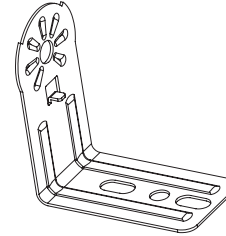


6 Align the hole of the upper tube with the hole of the lower tube, then plug the pin in, and finally tighten the knob.



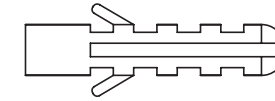
WALL MOUNTED PARTS LIST

NOTE: Please make sure all parts are there before beginning assembly.



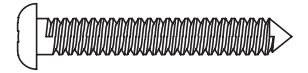
L-Shaped Bracket

H X 4 PCS



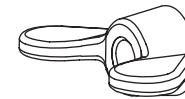
Plastic Anchor

I X 4 PCS



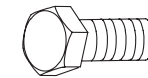
PA5mm x 25mm
Mounting Screw

J X 4 PCS



Wing Nut

K X 2 PCS



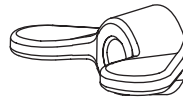
M6mm x 12mm Screw

L X 2 PCS

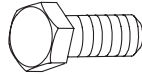
WALL MOUNTED ASSEMBLY INSTRUCTIONS

1 Fasten the 4 L-shaped brackets (H) by 2 pieces of M6mm x 12mm screws (L) and 2 pieces of M6mm nuts (K). The hex wrench is not contained in the box, you need find it by your own.

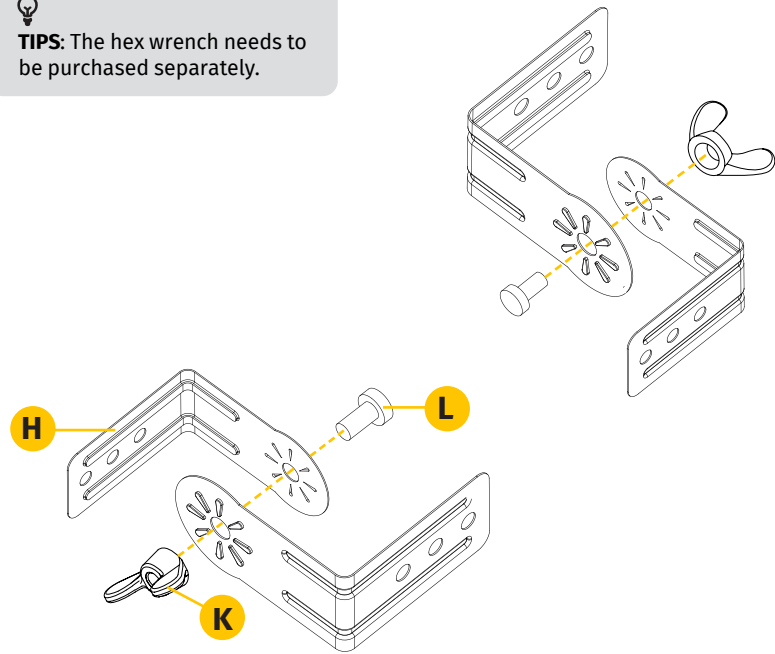
TIPS: The hex wrench needs to be purchased separately.



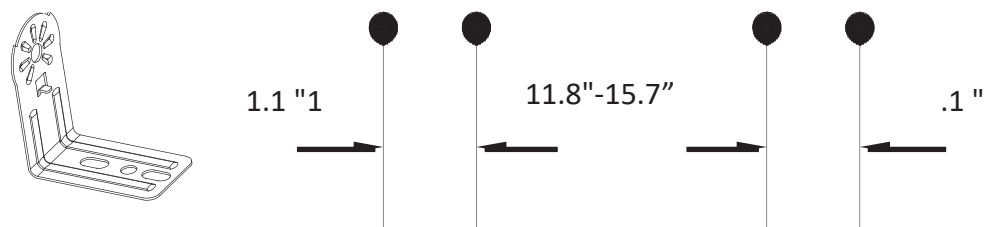
K X 2 PCS



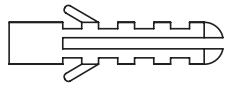
L X 2 PCS



2 Use a pencil, mark the hole locations on the wall where the heater will be mounted according to measurements below. The L-shaped brackets (H) can also be used as templates to mark the hole locations.

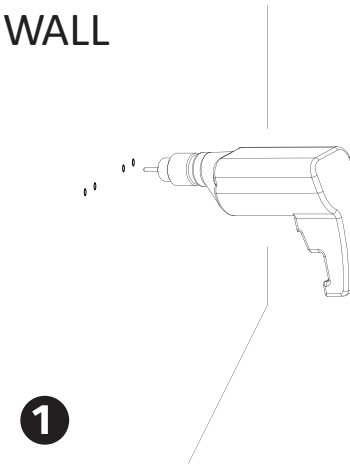


3 Drill holes for the plastic anchors using a 1/8 - 5/32 in. drill bit. Insert the point end of plastic anchor (I) into the holes. Tap the plastic anchor with a hammer until the plastic anchor is flush.



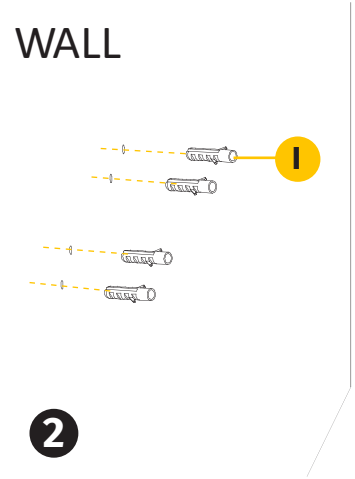
I X 4PCS

WALL



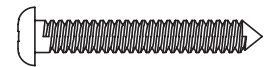
1

WALL



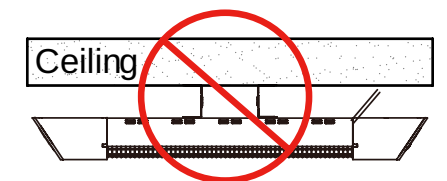
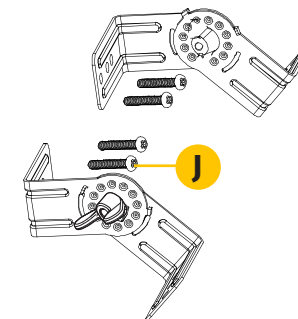
2

4 Use 4 pieces of PA5mm x 25mm screws (J) to attach the mounting brackets to the wall, making sure they go into the plastic anchors, tighten them with the screwdriver.



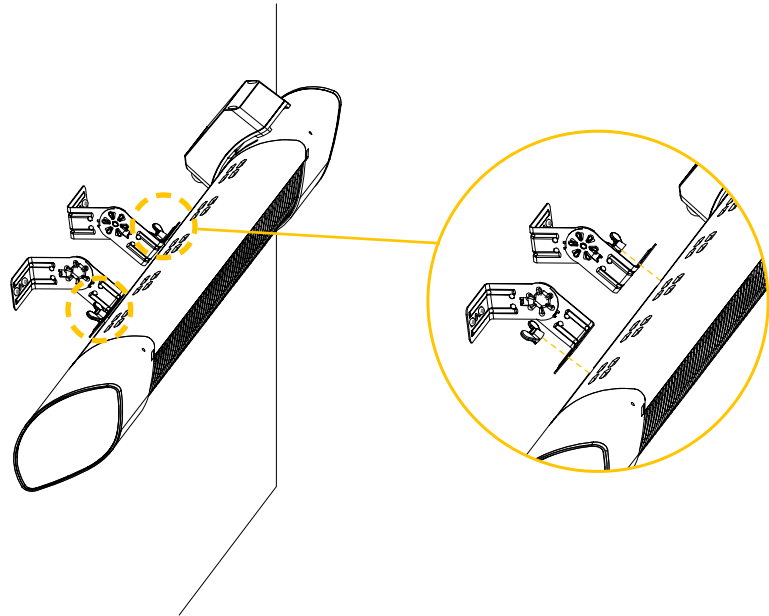
J X 4PCS

WALL



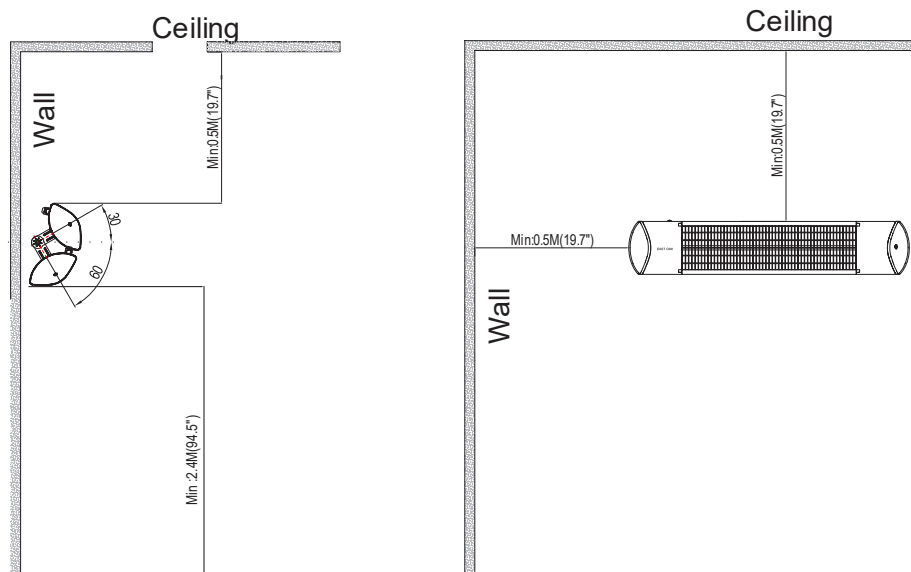
5

Fasten the heater to the L-shaped bracket using the pre-installed wing bolts on the back of the heater and hand tighten the wing nuts.



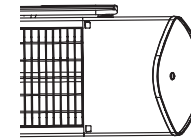
6

The heater must be installed at least 2.4 m (8 ft) above the floor grade. **Attention:** The cable should not pass through the heater.



OPERATION INSTRUCTIONS

LED Display

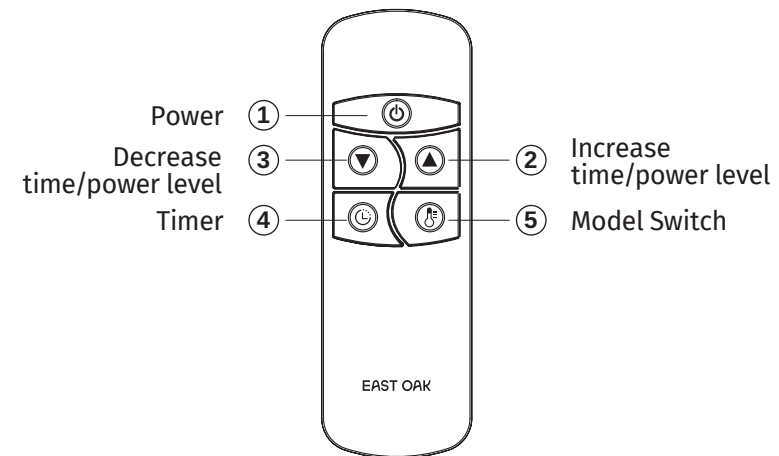


Power off	01 Timer Hour
Stand-by	E1 Error- over Heat Protection
L1 Power Level	

Step 1: Plug in the heater.

Step 2: Turn on the button switch , the product is in standby mode display (- -); adjust the heating level L1-L3 by repeatedly pressing the button switch .

Remote Control



Control Functions

- Turn ON or turn OFF the heater.
- Push the button repeatedly to decrease power level/timer.
- Push the button repeatedly to increase power level/timer.
- Set the timer from 0H-24H, when the timer ends, the heater will stop automatically. To cancel, set the time to 0 hour.
- When you finish the timer adjusting, press this button to return to the level adjustment display.

NOTE: All heaters and their remote controls have the same frequency, so it is possible to control several heaters with just one remote.

Inserting Batteries (not included)

Insert 2 AAA/ Alkaline type batteries into your remote control

1. Flip the backside of your remote control and pull out battery cover. Insert the batteries in accordance with the instructions and polarity the batteries.
2. Change the batteries in the same way depicted above.

NOTICE:

1. Replace the old batteries with the same type batteries. Otherwise, your heater may not function well.
2. Pull out the batteries in case of long terms of disuse to prevent leakage which may impair your remote control.
3. Do not allow water or liquid to get into the remote control.

CAUTION

- When the appliance is not operated for a long period of time, cleaning or maintenance is conducted or when the location of the heater is changed, the heater should be turned to OFF and unplugged from the electrical connection.
- Periodic inspection and removal of dirt and contaminants will ensure that equipment can be operated safely.

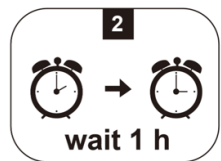
Trouble Shooting

① "E1" Error on display :Control unit overheat.

How to solve




Step 1: pull the plug out



Step 2: wait 1 hour until heater cool down, and check installation clearances.



Step 3: put the plug in and press the button  to restart the heater.





② "E2" Error on display: Check if the heater has fallen.

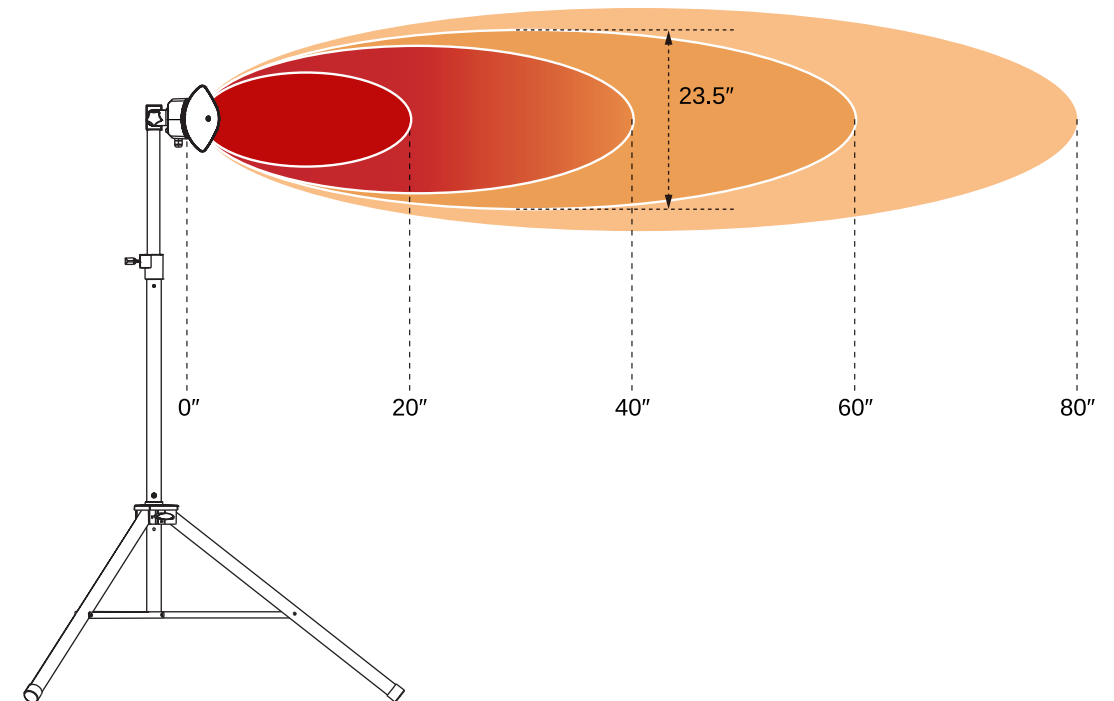
③ L1,2,3 shows in display, but no heat: Bulb is damaged. Please reach out to the after-sales department for assistance.



TEMPERATURE FIELD

SIDE VIEW





-  Overheating Area
-  Warmer Area (for freezing temperature)
-  Cozy Area (for normal cold weathwer)
-  Low Temperature Rise Area

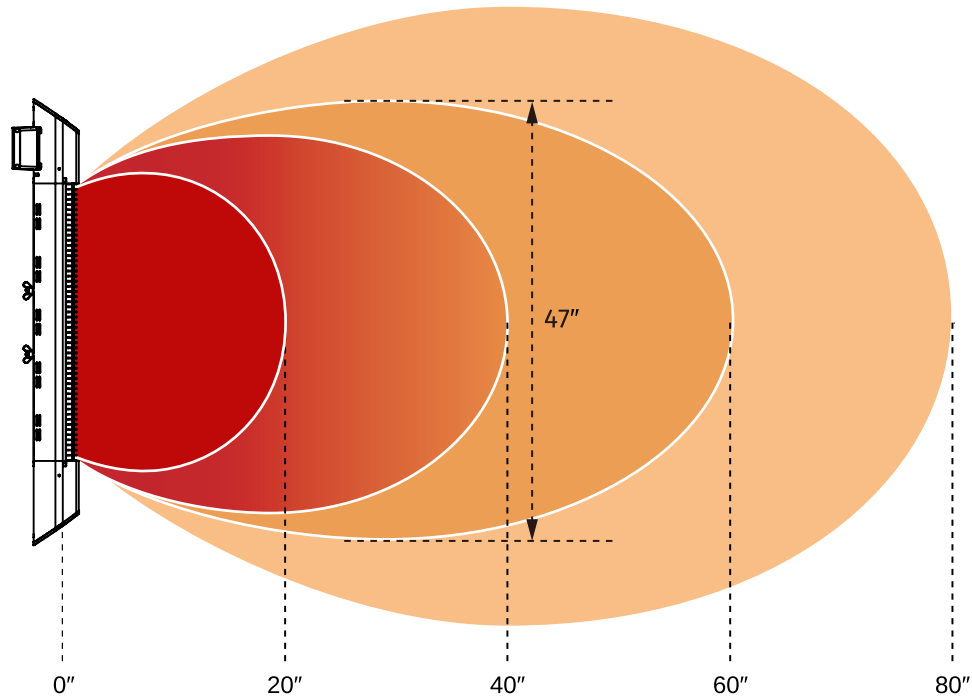


NOTICE:

Adjust the appropriate temperature range according to the adjustment of the up and down angles.

TOP VIEW

-  Overheating Area
-  Warmer Area (for freezing temperature)
-  Cozy Area (for normal cold weather)
-  Low Temperature Rise Area



NOTICE:

Try to sit in front of the machine 1m-1.5m distance.



CARE AND MAINTENANCE

Maintenance

- Attention! Giving careful and regular maintenance to your heater according to our instructions is of utmost importance to ensure long and efficient operation of your appliance.
- It is recommended to check the cleanliness of the reflector and IR-filament of your heater at least once a month. If necessary, follow the cleaning and maintenance instructions provided.
- The frequency of these checks may need to be increased depending on the amount of dust present in the environment.
- While cleaning the appliance, visually inspect the reflector, wire, and frame for any signs of deformation. If any deformation is observed, please contact the service team for assistance.
- Similarly, visually inspect the power cord and plug while cleaning the appliance. If there is any deformation or damage, it is advisable to contact the service team for further evaluation and potential repair or replacement.

Cleaning

To clean your infrared heater and ensure its efficient operation, please follow the steps below:

- For your safety, unplug the power cord of the heater before starting the cleaning process.
- Allow the heater to cool down completely before proceeding with the cleaning.
- To clean the outer housing of the heater, use a soft, damp cloth. If necessary, you may use a mild detergent, but ensure that no liquid enters the heater. After cleaning, dry the unit thoroughly with a soft cloth. Please note that it's important to avoid letting any liquids enter the heater.
- Avoid using alcohol, gasoline, abrasive powders, furniture polish, or rough brushes to clean the heater. These substances may cause damage or deterioration to the surface of the heater.
- Do not submerge the heater in water or any other liquid. Immersion can cause serious damage to the appliance.
- Once the cleaning is complete, wait until the heater is completely dry before plugging it back in and using it.

-
- By following these cleaning guidelines, you can help maintain the efficiency and trouble-free operation of your infrared heater for many years.
 - Storage: Store the heater in a cool, dry location when not in use to prevent dust and dirt build-up. Wrap the power cord with ties. Use packaging cartons to store.

ATTENTION

Please note the following important guidelines for the maintenance and safety of your heater:

- Always disconnect the heater from the electrical power source and allow it to cool down before attempting to perform any maintenance or repairs.
- If the heater has accumulated dust or dirt inside the unit or around the heating element, it is recommended to have the unit cleaned by a qualified service agent. Do not operate the heater in this condition, as it may pose a safety risk.
- The only normal maintenance required is cleaning the external surfaces of the heater. Use a soft cloth to clean the outer surfaces and avoid using any abrasive materials or cleaners that may damage the unit.
- Avoid touching the heating element with bare fingers, as residue from your hands can affect the lifespan of the lamp. If accidental contact occurs, remove any finger marks using a soft cloth moistened with mentholated spirit or alcohol.
- It is important not to attempt to repair or adjust any electrical or mechanical functions of the heater. The heater does not contain any user-serviceable parts. In the event of damage or breakdown, it should be returned to the manufacturer or its authorized service agent for repair.
- Damaged parts should be replaced by the manufacturer, service agent, or a similarly qualified person to avoid any potential hazards.
- It is recommended to have a disconnecting switch incorporated in the fixed wiring to ensure safe operation and easy power isolation of the heater.
- Following these guidelines will help ensure the safe and proper operation of your heater.

Recycling

- At the end of the electrical products useful life it should not be disposed of with household waste.
- Please recycle where facilities exist. Check with your Local Authority or retailer for recycling advice in your country.

WARRANTY POLICY

GUARANTEED 3-YEAR WARRANTY

Thank you for choosing East Oak. This product is covered by our company warranty for up to 3 years from its original purchase date.

CLAIM WARRANTY

If you'd like to claim your product's warranty, register your new product on our website at www.eastoak.com/warranty.

WARNING

Cancer and reproductive Harm
www.P65Warnings.ca.gov.

EAST OAK

✉ support@eastoak.com

🌐 eastoak.com

☎ 1-833-EAST-OAK (USA)