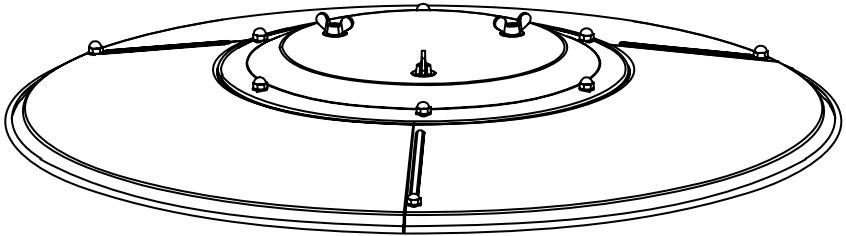


Reflector Shield for Patio Heater Owner's Manual

MODEL:

RS01SR3



EAST OAK

NOTES

- Please check all parts and components to ensure no damage or missing items before starting the product's construction. If you have any problems or discover any missing parts, please contact customer service at support@eastoak.com.

WARRANTY POLICY

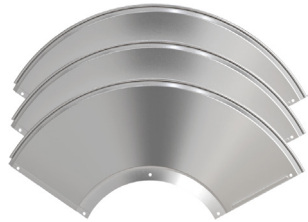
GUARANTEED 3-YEAR WARRANTY

Thank you for choosing East Oak. This product is covered by our company warranty for up to 3 years from its original purchase date.

CLAIM WARRANTY

If you'd like to claim your product's warranty, register your new product on our website at www.eastoak.com/warranty.

PARTS LIST



Reflector Panel
A X 3 PCS



Reflector Plate
B X 1 PC



Washer Bolt
C X 9 PCS + Spare X 1



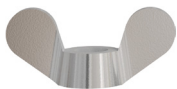
Cap Nut
D X 9 PCS + Spare X 1



M8 Washer
E X 6 PCS + Spare X 1



Stud
F X 3 PCS



Wing Nut
G X 3 PCS

1

Connect the 3 pieces reflector panels together with 3 washer bolts and 3 cap nuts.



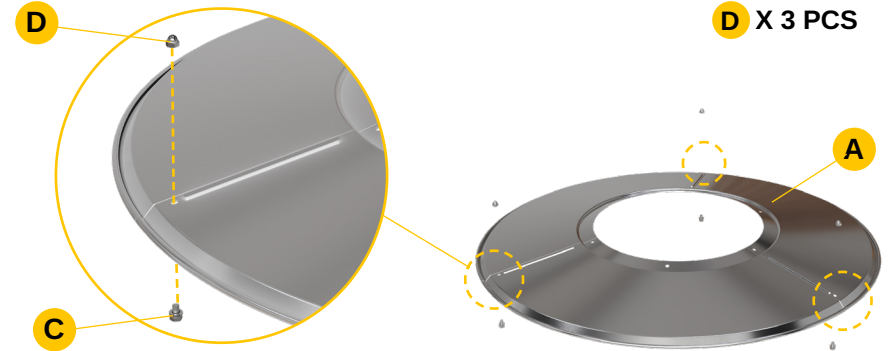
TIPS: If needed, loosen each screw prior to further assembly.



C X 3 PCS



D X 3 PCS



2

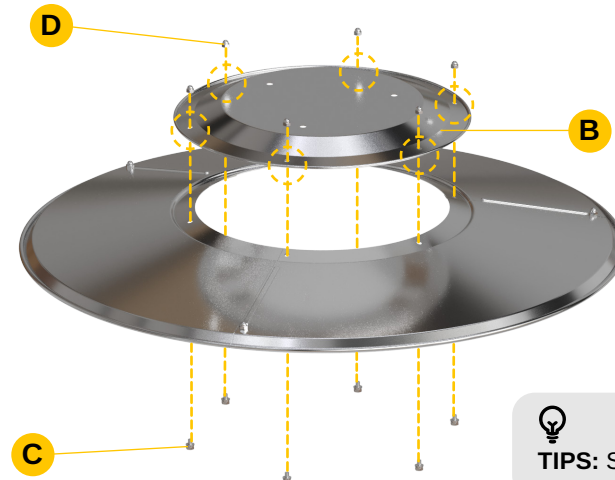
Attach the reflector plate to the installed 3 reflector panels with 6 washer bolts and 6 cap nuts.



C X 6 PCS



D X 6 PCS



TIPS: Secure bolts tightly.

3

Attach 3 reflector studs to burner assembly and tighten the reflector studs.

Attach the reflector shield to the top of the studs on the burner assembly. Fasten with 6 M8 washers and 3 wing nuts.



F X 3 PCS



E X 6 PCS



G X 3 PCS

